

Ordering Information & Dimensions:

PART NO.	Dimensions	
	A	B
2P	1.50	4.50
3P	3.00	6.00
4P	4.50	7.50
5P	6.00	9.00
6P	7.50	10.50
7P	9.00	12.00
8P	10.50	13.50
9P	12.00	15.00
10P	13.50	16.50
11P	15.00	18.00
12P	16.50	19.50
13P	18.00	21.00
15P	21.00	24.00

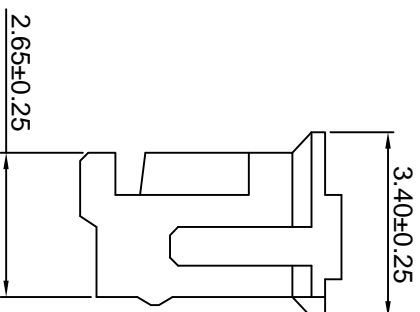
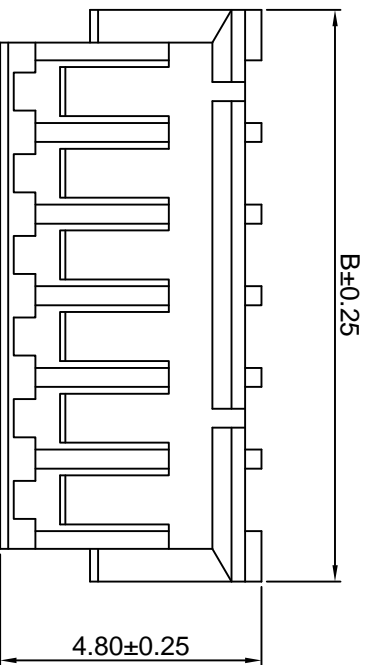
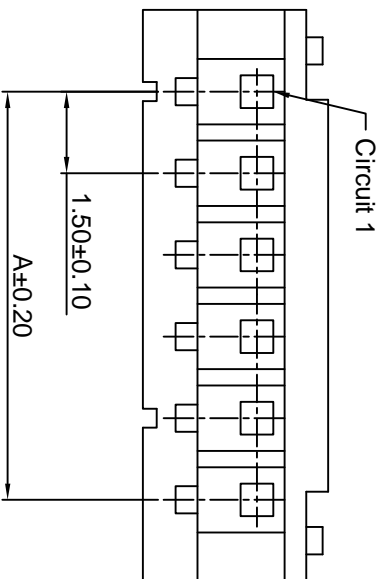
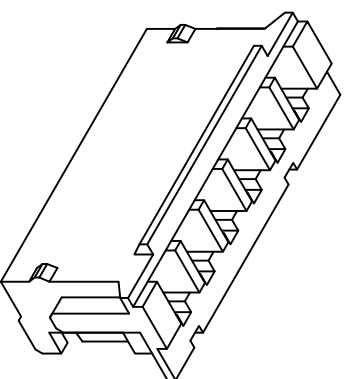
Unit: mm

MAT'L: NYLON 66 UL94V-0
 CURRENT RATING: 1A AC, DC
 VOLTAGE RATING: 100V AC, DC
 MATES WITH: 1510 TERMINAL
 ACCEPTS WITH: 1510PR SEIRES WAFER
 1510PS SEIRES WAFER
 TEMPERATURE RANGE : -25 ~ +85
 CONTACT RESISTANCE : 20m MAX
 INSULATION RESISTANCE : 500M MIN
 WITHSTANDING VOLTAGE : 500V AC/MINUTE

东莞市钰茂实业有限公司

TEL: 0769-87903290 FAX: 0769-87864246

Angle	± 0.5 °	品名 TITLE:	PITCH 1.5mm HOUSING			
10.0 ~	± 0.20		料号 PART NO.	1510H-NP no mark		
3.1 ~ 10.0	± 0.10	绘图 DRAWING		Simon	审核 CHECKED	Jeff
1.1 ~ 3.0	± 0.05		UNIT: mm A4	日期 DATE	比例 SCALE:	版本 REV.
0 ~ 1.0	± 0.03	18.12.01		FREE		



Ordering Information & Dimensions:

PART NO.	Dimensions	
	A	B
02	1.50	4.50
03	3.00	6.00
04	4.50	7.50
05	6.00	9.00
06	7.50	10.50
07	9.00	12.00
08	10.50	13.50
09	12.00	15.00
10	13.50	16.50
11	15.00	18.00
12	16.50	19.50
13	18.00	21.00
14	21.00	24.00

Unit: mm

东莞市钰茂实业有限公司

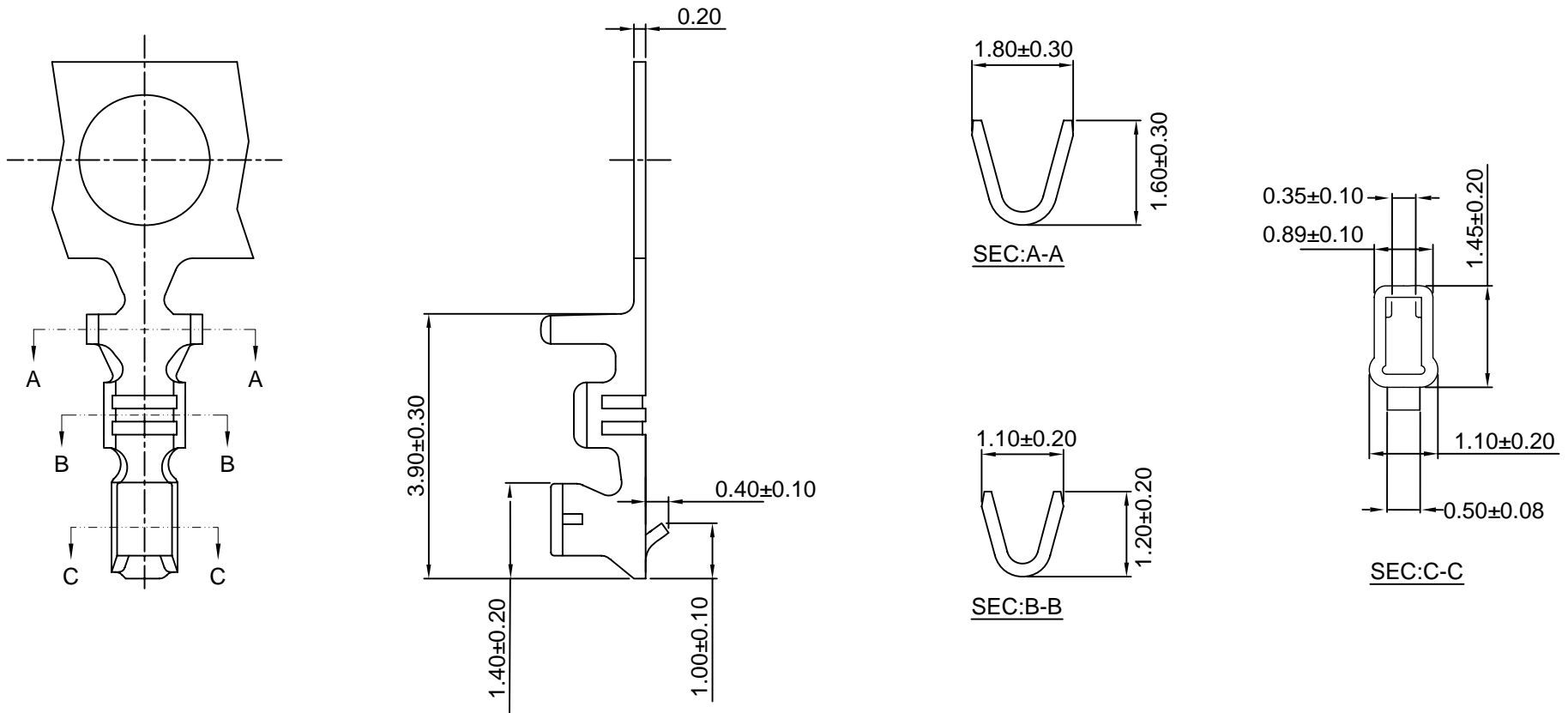
TEL:0769-87903290 FAX:0769-87864246

PITCH 1.5mm HOUSING

1510H-NP

Angle	±0.5°	品名	PITCH 1.5mm HOUSING			
10.0~	±0.20	TITLE:				
3.1~10.0	±0.10	料号				
1.1~3.0	±0.05	PART NO.				
0~1.0	±0.03	绘图	Simon	审核	Jeff	核准
UNIT: mm		DRAWING	CHECKED	比例	FREE	版本
A4		日期	18.12.01	SCALE:		REV.
		DATE				V1.0

MATL:NYLON66 UL94V-0
 ACCEPTS WITH:1510P SERIES TERMINAL
 MATES WITH:1510PS 1510PR WAFER
 CURRENT RATING:1A AC,DC
 VOLTAGE RATING:100V AC,DC
 TEMPERATURE RANGE:-25 --+85

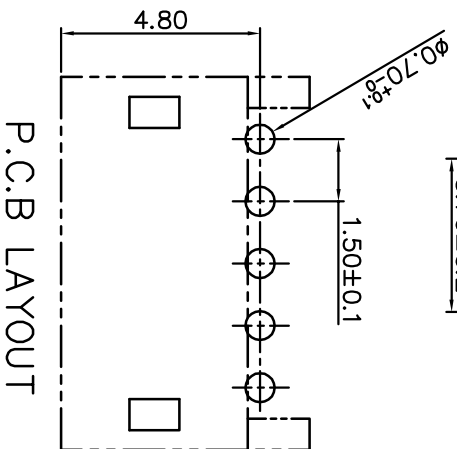
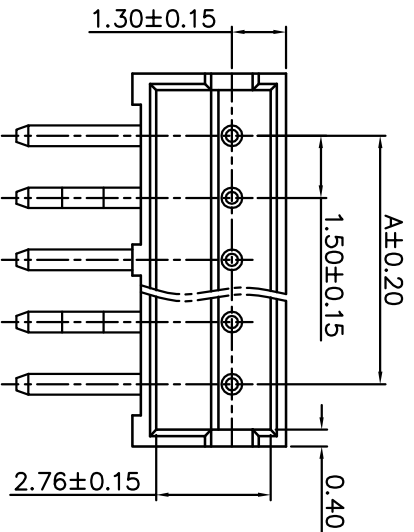
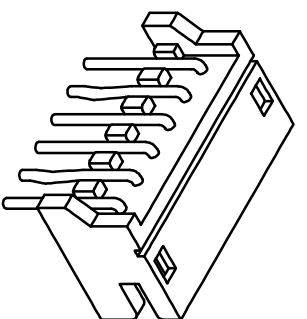
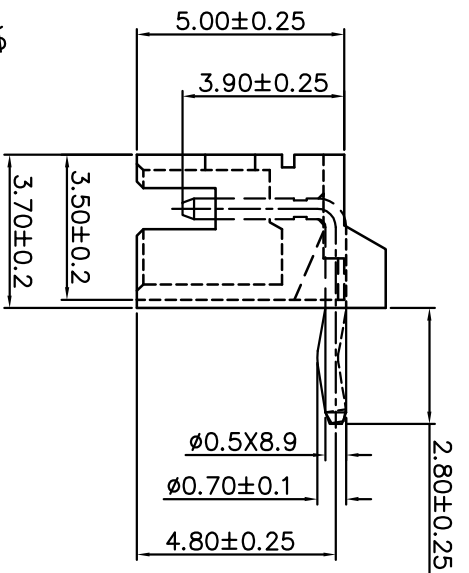
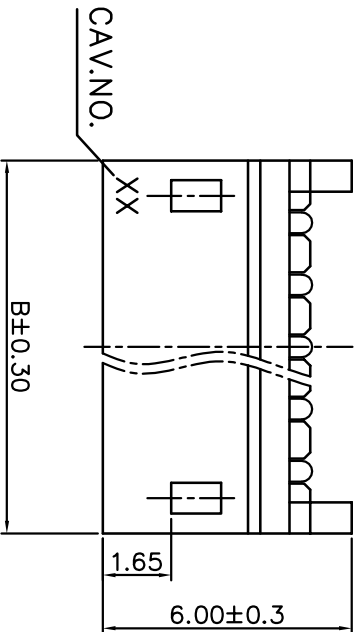


1510 SERIES
 MAT'L:PHOSPHOR BRONZE
 TREATMENT:TIN PLATED
 MATES WITH:1510H HOUSING
 WIRE RANGE:AWG#28-26
 CURRENT RATING:1A AC,DC
 VOLTAGE RATING:50V AC,DC

东莞市钰茂实业有限公司

TEL:0769-87903290 FAX:0769-87864246

Angle	$\pm 0.5^\circ$	品名	PITCH 1.5mm TERMINAL			
10.0 ~	± 0.20	TITLE:				
3.1 ~ 10.0	± 0.10	料号	1510P no mark			
1.1 ~ 3.0	± 0.05	PART NO.				
0 ~ 1.0	± 0.03	绘图	Simon	审核	Jeff	核准
UNIT: mm		DRAWING	CHECKED	FREE	APPROVED	
A4		日期	18.12.01	比例	SCALE:	版本
		DATE	FREE	SCALE:	REV.	V1.0



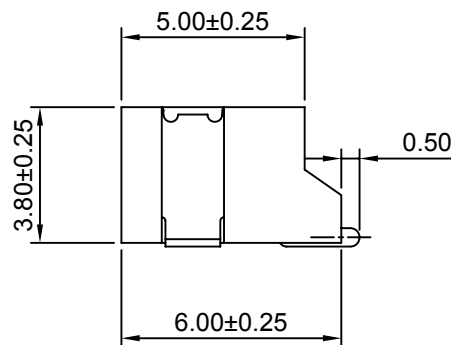
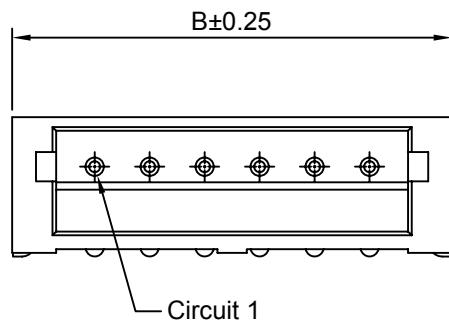
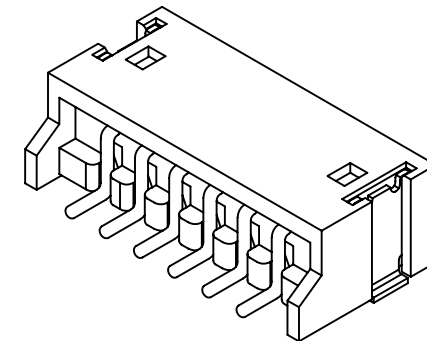
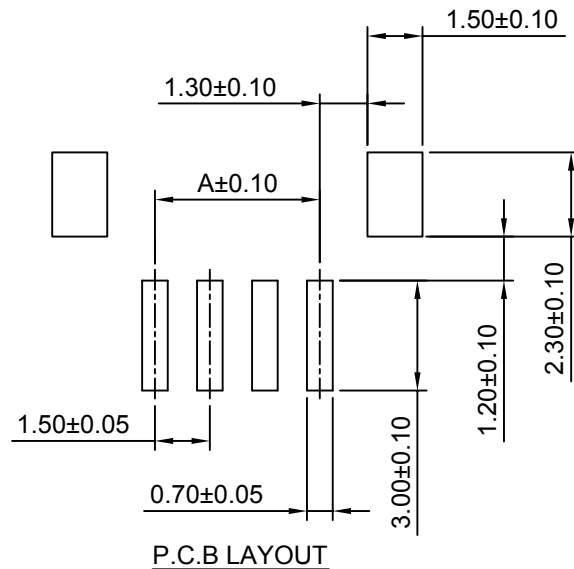
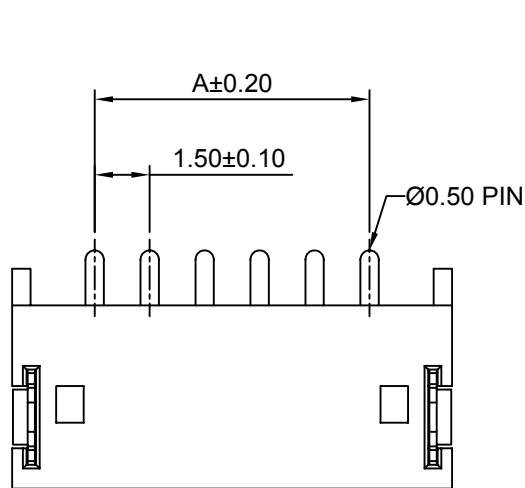
Circuits	Dimensions(mm)		Circuits	Dimensions(mm)	
	A	B		A	B
2P	1.50	4.50	8P	10.50	13.50
3P	3.00	6.00	9P	12.00	15.00
4P	4.50	7.50	10P	13.50	16.50
5P	6.00	9.00	11P	15.00	18.00
6P	7.50	10.50	12P	16.50	19.50
7P	9.00	12.00	13P	18.00	21.00

东莞市钰茂实业有限公司

TEL:0769-87903290 FAX:0769-87864246

Angle $\pm 0.5^\circ$		品名		PITCH 1.5mm 90° WAFER	
10.0~ ± 0.20		TITLE:			
3.1~10.0 ± 0.10		料号		1510PR-NP	
1.1~3.0 ± 0.05		PART NO.			
0~1.0 ± 0.03		绘图		Simon	
UNIT: mm		DRAWING		CHECKED	
A4		日期		比例	
		DATE		SCALE:	
		18.12.01		FREE	
				REV.	
				V1.0	

MAT'L: MATAL: BRASS TIN PLATED
 PLASTIC: PA46 OR PA66 UL94V-0
 ACCEPTS WITH: 1510H HOUSING
 MATES WITH: 1510P SERIES TERMINAL
 CURRENT RATING: 1A AC, DC
 VOLTAGE RATING: 100V AC, DC
 TEMPERATURE RANGE: -25 ~ +85



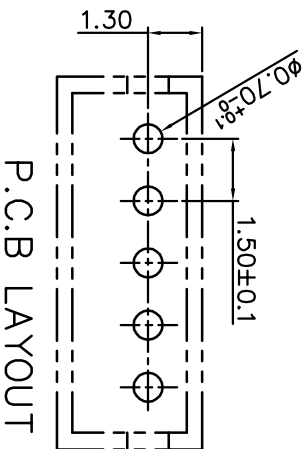
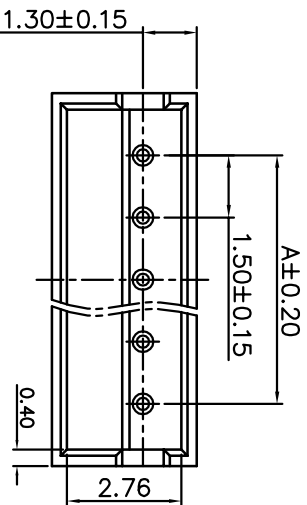
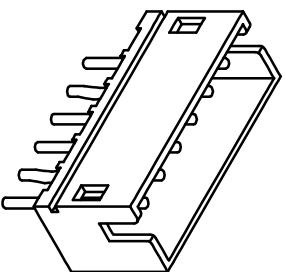
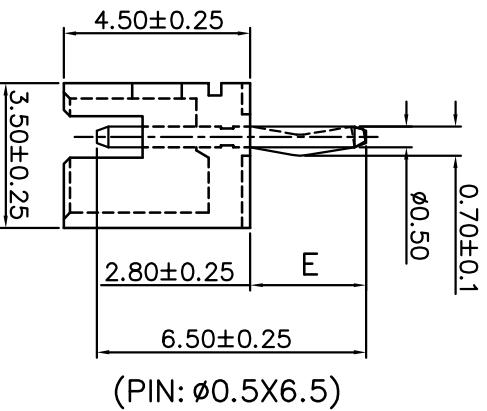
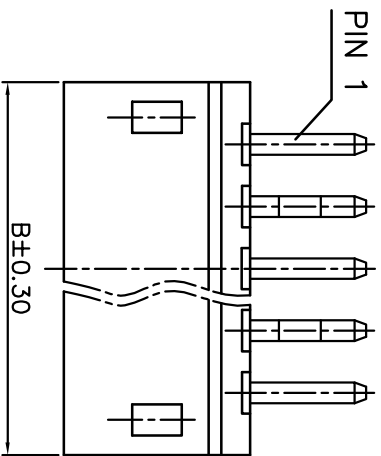
Circuits	Dimensions(mm)		Circuits	Dimensions(mm)	
	A	B		A	B
2P	1.50	6.00	8P	10.50	15.00
3P	3.00	7.50	9P	12.00	16.50
4P	4.50	9.00	10P	13.50	18.00
5P	6.00	10.50	11P	15.00	19.50
6P	7.50	12.00	12P	16.50	21.00
7P	9.00	13.50	13P	18.00	22.50

Current Rating: 1A AC,DC
 Voltage Rating: 100V AC,DC
 Temperature Range: -25°C ~ +85°C
 Contact Resistance: 20mΩ Max.
 Insulation Resistance: 500MΩ Min.
 Withstanding Voltage: 500V AC/minute
 Pin Material: Brass/Gold over Nickel
 Solder Tabs: Brass/Gold over Nickel
 Material: Nylon 6T,UL94V-0(Ivory)

东莞市钰茂实业有限公司

TEL:0769-87903290 FAX:0769-87864246

Angle	± 0.5 °	品名 TITLE:	PITCH 1.5mm WAFER			
10.0 ~	± 0.20		料号 PART NO.	1510PR-NP-SMT		
3.1 ~ 10.0	± 0.10	绘图 DRAWING		Simon	审核 CHECKED	Jeff
1.1 ~ 3.0	± 0.05		UNIT: mm	日期 DATE	18.12.01	比例 SCALE:
0 ~ 1.0	± 0.03	FREE				



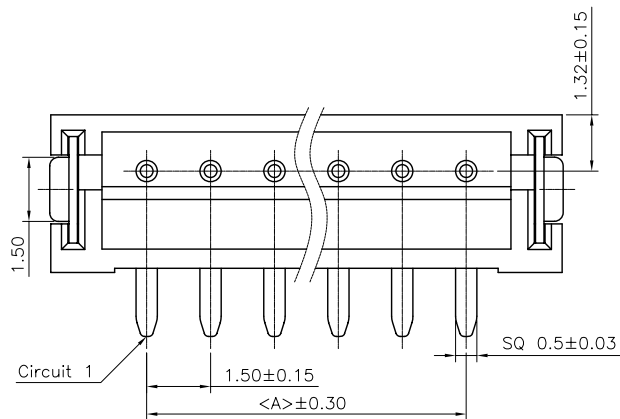
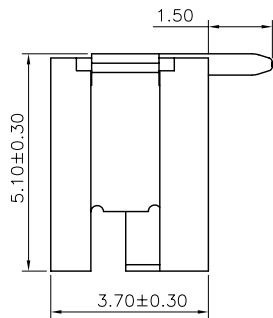
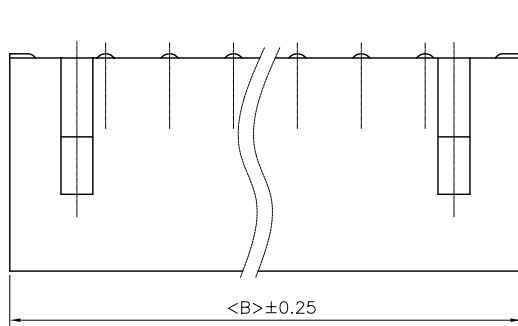
Circuits	Dimensions(mm)		Circuits	Dimensions(mm)	
	A	B		A	B
2P	1.50	4.50	8P	10.50	13.50
3P	3.00	6.00	9P	12.00	15.00
4P	4.50	7.50	10P	13.50	16.50
5P	6.00	9.00	11P	15.00	18.00
6P	7.50	10.50	12P	16.50	19.50
7P	9.00	12.00	13P	18.00	21.00

东莞市钰茂实业有限公司

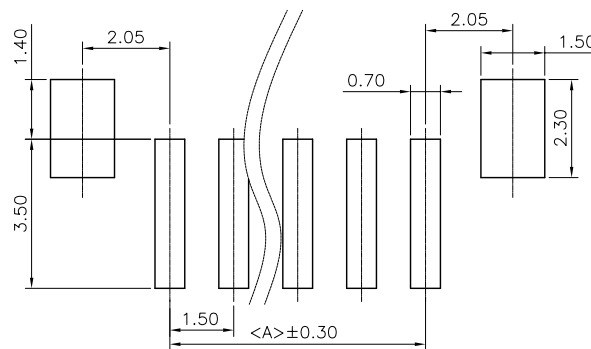
TEL:0769-87903290 FAX:0769-87864246

Angle ±0.5°		品名		PITCH 1.5mm 180° WAFER	
10.0~ ±0.20		TITLE:			
3.1~10.0 ±0.10		料号		1510PS-NP	
1.1~3.0 ±0.05		PART NO.			
0~1.0 ±0.03		绘图		审核	
UNIT: mm		DRAWING		CHECKED	
A4		日期		比例	
		DATE		SCALE:	
		18.12.01		FREE	
				版本	
				REV.	
				V1.0	

MAT'L: MATAL: BRASS TIN PLATED
 PLASTIC: PA46 OR PA66 UL94V-0
 ACCEPTS WITH: 1510H HOUSING
 MATES WITH: 1510P SERIES TERMINAL
 CURRENT RATING: 1A AC, DC
 VOLTAGE RATING: 100V AC, DC
 TEMPERATURE RANGE: -25 ~ +85



Recommended P.C.B Layout(Top Side)
P.C.B Thickness = 1.20mm (Tolerance=±0.05)



Circuits	Dimensions(mm)		Circuits	Dimensions(mm)	
	A	B		A	B
2P	1.50	6.00	8P	10.50	15.00
3P	3.00	7.50	9P	12.00	16.50
4P	4.50	9.00	10P	13.50	18.00
5P	6.00	10.50	11P	15.00	19.50
6P	7.50	12.00	12P	16.50	21.00
7P	9.00	13.50	13P	18.00	22.50

Current Rating: 1A AC,DC
Voltage Rating: 100V AC,DC
Temperature Range: -25°C ~ +85°C
Contact Resistance: 20mΩ Max.
Insulation Resistance: 500MΩ Min.
Withstanding Voltage: 500V AC/minute
Pin Material: Brass/Gold over Nickel
Solder Tabs: Brass/Gold over Nickel
Material: Nylon 6T,UL94V-0(Ivory)

东莞市钰茂实业有限公司

TEL:0769-87903290 FAX:0769-87864246

Angle	± 0.5 °	品名 TITLE:	PITCH 1.5mm WAFER					
10.0 ~	± 0.20		料号 PART NO.	1510PS-NP-SMT				
3.1 ~ 10.0	± 0.10	绘图 DRAWING		Simon	审核 CHECKED	Jeff	核准 APPROVED	
1.1 ~ 3.0	± 0.05		UNIT: mm	日期 DATE	18.12.01	比例 SCALE:	FREE	版本 REV.
0 ~ 1.0	± 0.03	A4						